

SQX 08

Speaker Specifications

Power	Pe	375 / 250	RMS/Nom
DC resistance	Rdc	3,2	Ω
Nominal impedance	ZN	4	Ω
Resonance frequency	fs	45,9	HZ
Voice coil diameter		2,0	inch
Xmax	+ -	8	mm

Mechanical Q factor	Qms	5,82
Electrical Q factor	Qes	0,54
Total Q factor	Qts	0,49

Moving mass	Mms	51,1	g
Effective piston area	Sd	221	cm ²
Mechanical resistance	Rms	2,5	Kg/s
Compliance	Cms	0,23	mm/N
Force factor	BL	9,4	Tm
Equivalent air volume	Vas	13,3	dm ³

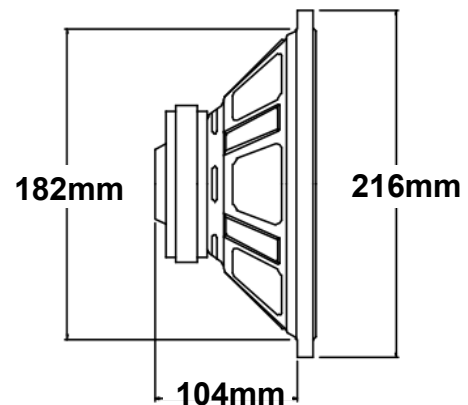
SPL 2,83V/1m **88,6** dB

Cone: Paper	Spider: Nomex
Surround: Foam	Coil former: Aluminum
Basket: Aluminum	Dust cap: PP



Diameter

External diameter	216 mm / 8,50 inch
Installation diameter	183 mm / 7,20 inch
Installation depth	104 mm / 4,09 inch
Magnet diameter	126 mm / 4,96 inch



Recommended Boxes (including Ports and Drivers)

Sealed Box

V: **10 l**

Vented Box

V: **18 l**

F: 56 Hz
d: 70 / 2,76 mm / inch
l: 150 / 5,90 mm / inch

Band Pass

V1: **13 l** V2: **9 l**

d: 70 mm / 2,76 inch
l: 150 mm / 5,90 inch

Double Vented Bandpass

V1: **8 l** | V2: **16 l**
F1: 85 Hz | F2: 45 Hz
d: 70 mm / 2,76 inch | d: 50 mm / 1,97 inch
l: 160 mm / 6,30 inch | l: 160 mm / 6,30 inch