

RS 12

Speaker Specifications

Power	Pe	400 / 600	RMS/Nom
DC resistance	Rdc	3,2	Ω
Nominal impedance	ZN	4	Ω
Resonance frequency	fs	26,3	HZ
Voice coil diameter		2,5	inch

Mechanical Q factor	Qms	6,03
Electrical Q factor	Qes	0,43
Total Q factor	Qts	0,40

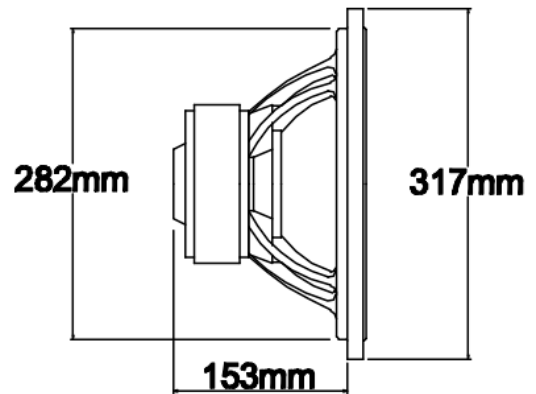
Moving mass	Mms	143,8	g
Effective piston area	Sd	490	cm ²
Mechanical resistance	Rms	3,9	Kg/s
Compliance	Cms	0,26	mm/N
Force factor	BL	12,8	Tm
Equivalent air volume	Vas	105,5	dm ³
SPL 2,83V/1m		91,3	dB

Cone: Paper	Spider: Nomex
Surround: Rubber	Coil former: Aluminium
Basket: Aluminium	Dust cap: Fiberglass



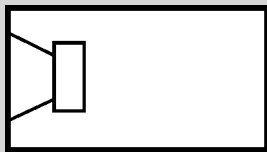
Diameter

External diameter	317 mm / 12,48 inch
Installation diameter	282 mm / 11,1 inch
Installation depth	153 mm / 6,02 inch
Magnet diameter	150 mm / 5,91 inch



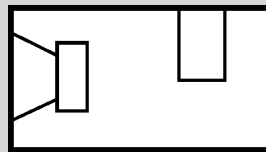
Recommended Boxes (including Ports and Drivers)

Sealed Box



V: **32 l**

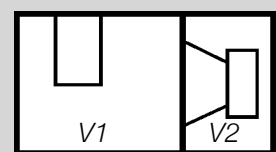
Vented Box



V: **48 l**

d: 100 / 3,94 mm / inch
l: 200 / 7,87 mm / inch

Band Pass



V1: **30 l** V2: **20 l**

d: 125 mm / 4,92 inch
l: 190 mm / 7,47 inch